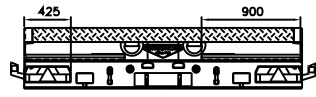
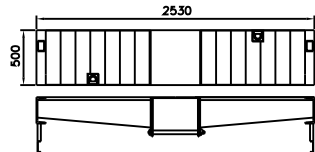
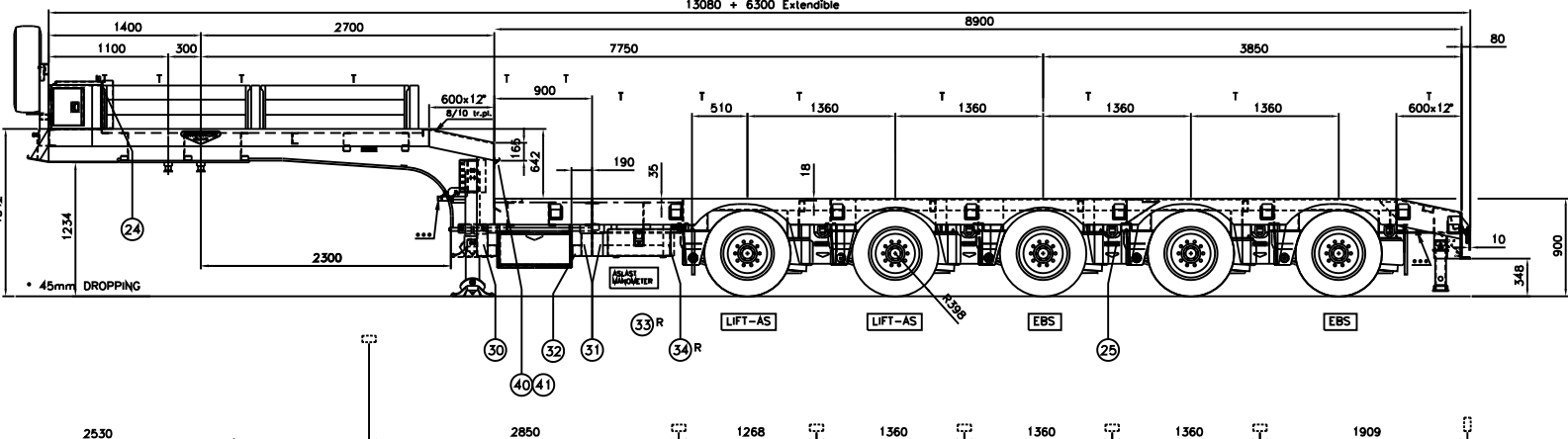
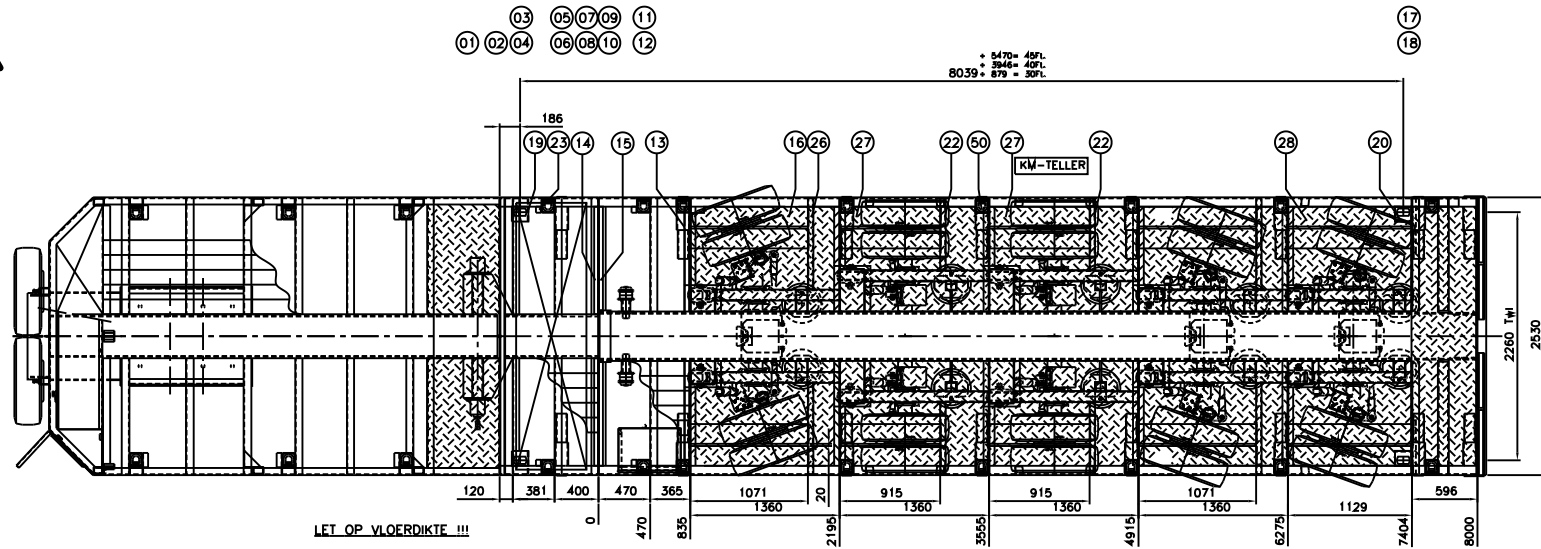




(JTh) Indien hiervan afgeleid wordt:
 - Vleugel 11 en 12 zijn te lang (uitgegeven als vleugel voor de deling)



Inner beam	Chassis	H-1693	Suspension	Client LUM 50.42/1E	Drooping bogie	H-14229
Extensions	Inner beam	H-1891	Axles	Client 2x GECH1 105, 2x GECH1 105	Steer axle	(1) LMP 180 cross, (2) LMP 240 cross
500	1st Center beam	---	Rubber/tyre	H 185 / - 70 (approximate)	Shim packs	---
675	2nd Center beam	---	Tyre	Micron 245/75 R17C - 152	Shim	30mm Hardwood 8/10mm Charcoal plate
1600	Outer beam	H-1892	Trm (max load)	25.000 kg (techn. 20.000)	Brakes	H-15820
2000	Special beam	---	Brake test	45.000 kg (techn. 50.000)	Drain holes	all S
2500	Specialising opt	H-1894	Load. gear	max. Motor B. 4th. H=1100	Type motor	5400-18-16
3000	Specialising opt	H-1895	Client	B A C B A U E B	Chassis number	2448204080119
3500						
4000						
4500						
5000						
5470						
6000						
6300						

COPIRIGHT BROUHAUS BV
BROUHAUS
 BROUHAUS B.V. SPECIAAL VERVOER
 AQUEDUICUS 23 6524 AP HILVERSUM
 PO BOX 46 3720 AA DE BILT
 TEL: 0374 461111 FAX: 0374 461112
 E-MAIL: contact@brouhaus.com

Interdimensional workshop	2	S.B.	08-11-08
Drawing component	1	S.B.	17-10-08
Specification modification			Projection
Drawn	S.B.	Dimensions in mm	
Date	16-05-08	Scale	1:50
Drawn no.	080119	Format	A1
Preceded	0801121	Tolerances	ISO 2768-m

FIVE AXLE SINGLE EXTENSIBLE SEMI LOW LOADER

Drawing no. 0801139/1